

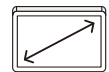
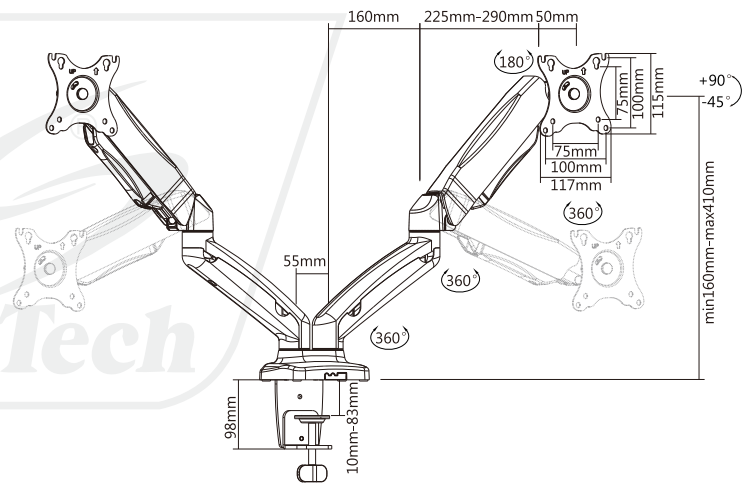
SH 130-C024

Interactive Counterbalance Monitor Arm

Fits most 13"-32" Flat & Curved LCD/LED Monitors



Create space on the desktop and provide a more flexible and productive workspace.



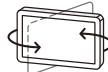
Screen Size
13"-32"



Weight Capacity
2-6.5kg/
4.4-14.3lbs(x2)



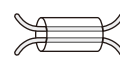
Tilt Range
+90° ~ -45°



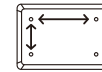
Swivel Range
+90° ~ -90°



Screen Rotation
360°



Cable Management



VESA Compatible
75x75 100x100



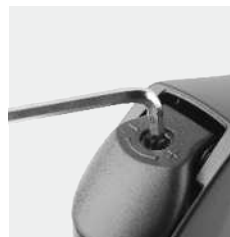
Curved Monitor



Pear-shaped VESA Slot makes the installation much easier by one-step slide-in.



Gas Spring Counterbalance floats the monitor with a light touch for a customized placement to match your viewing needs anytime.



Built-in Spring Gauge can be adjusted to suit various monitor weight.



Cable Management routes cables under the arm to reduce clutter for a clean look.



2.0 USB Port and Audio Port in the Basement are convenient for supporting data transfer, charging and sound input/output.



Grommet/Desk Mount Base suits most desks with adjustable clamp height.